

# Mix-City

Liesse Swinnen

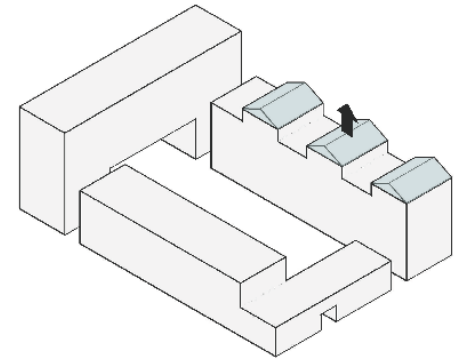
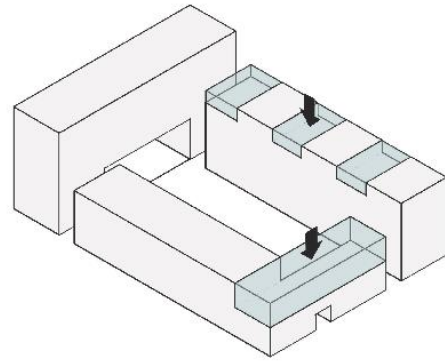
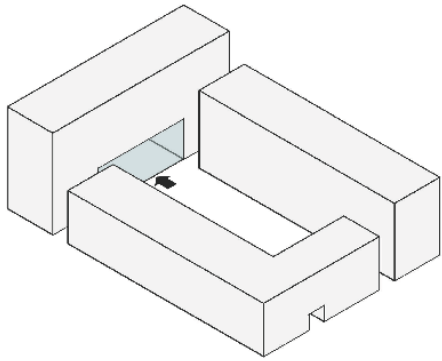
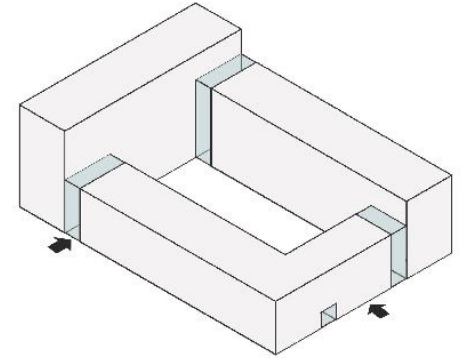
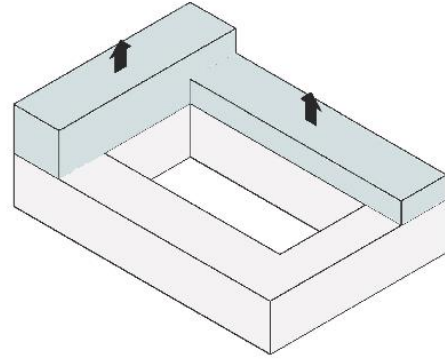
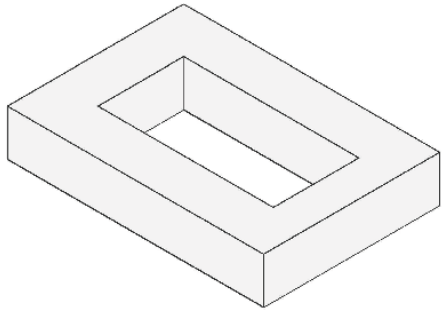
Sustainable Design Studio

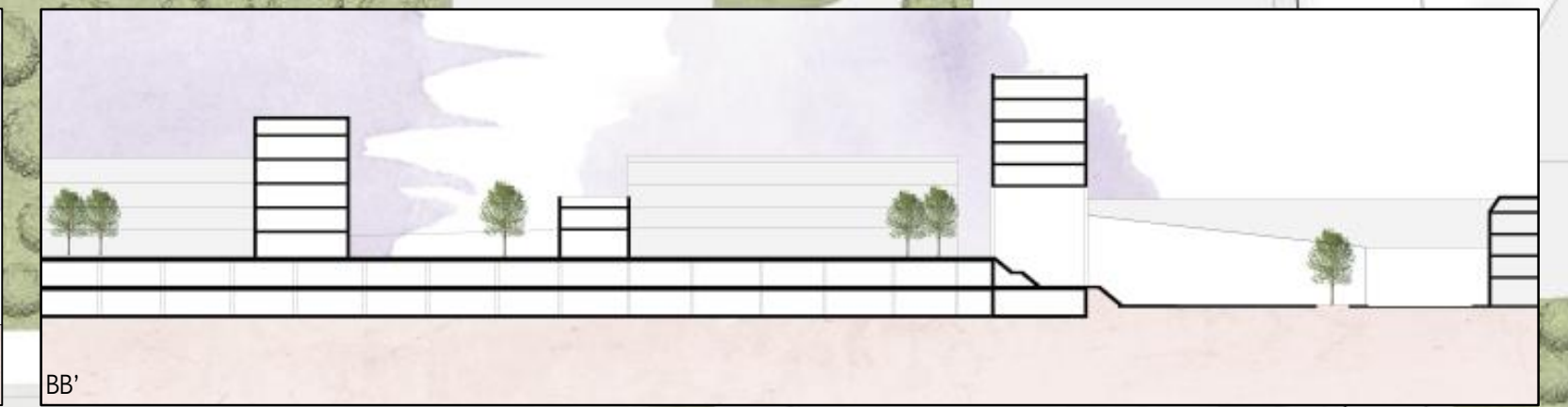
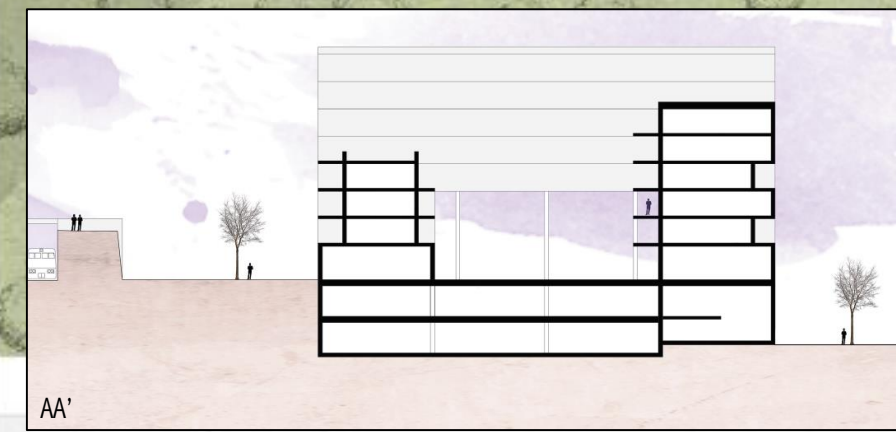
Final review

22/05/2018

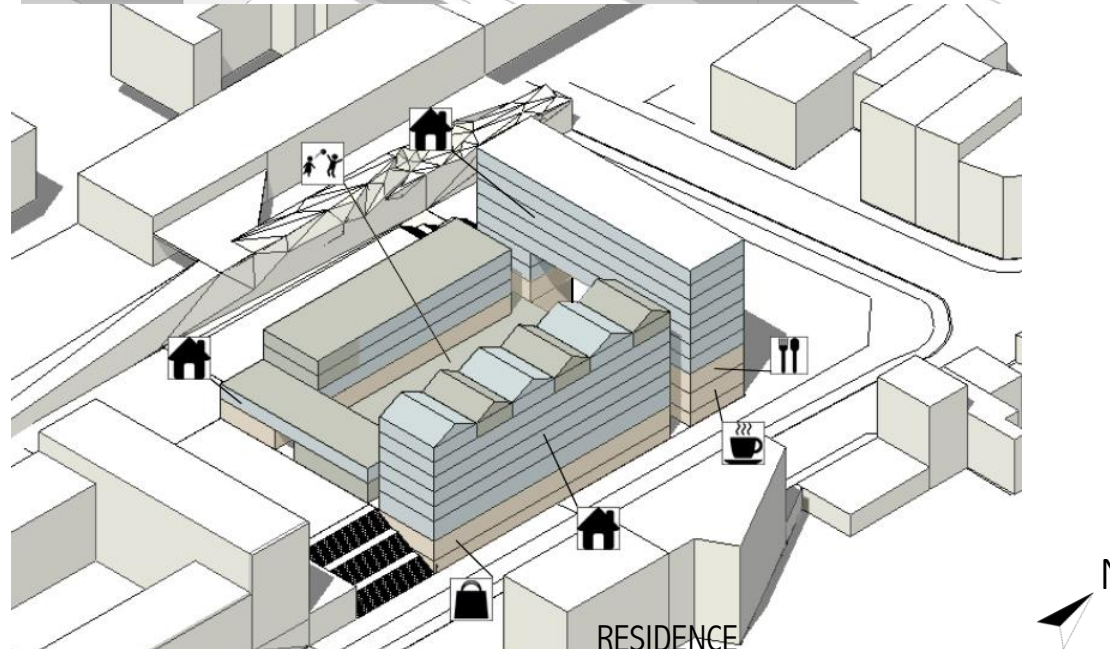
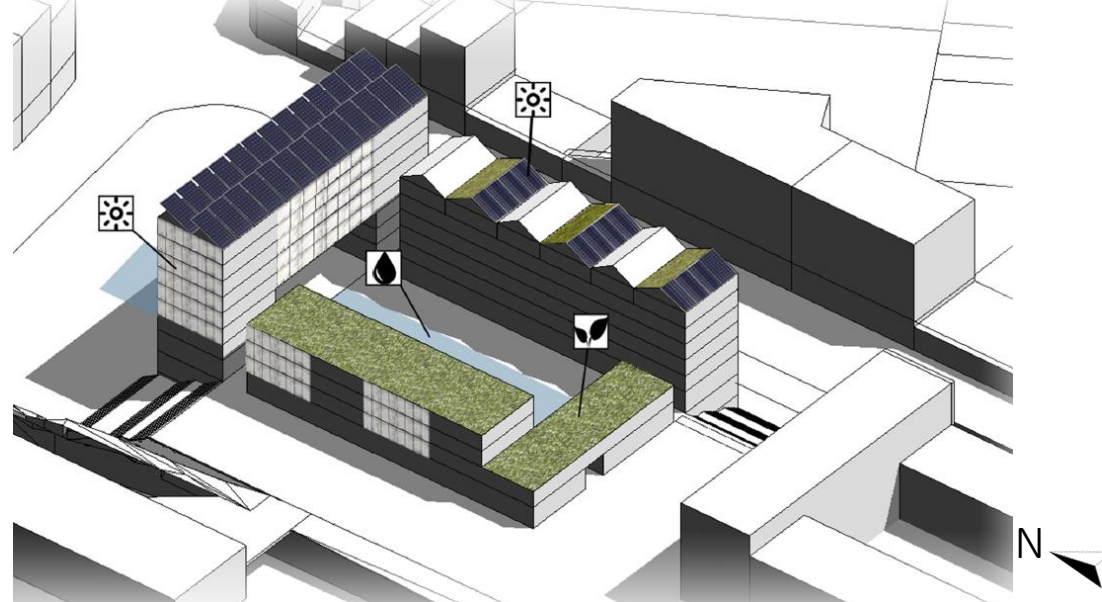


LOCATION







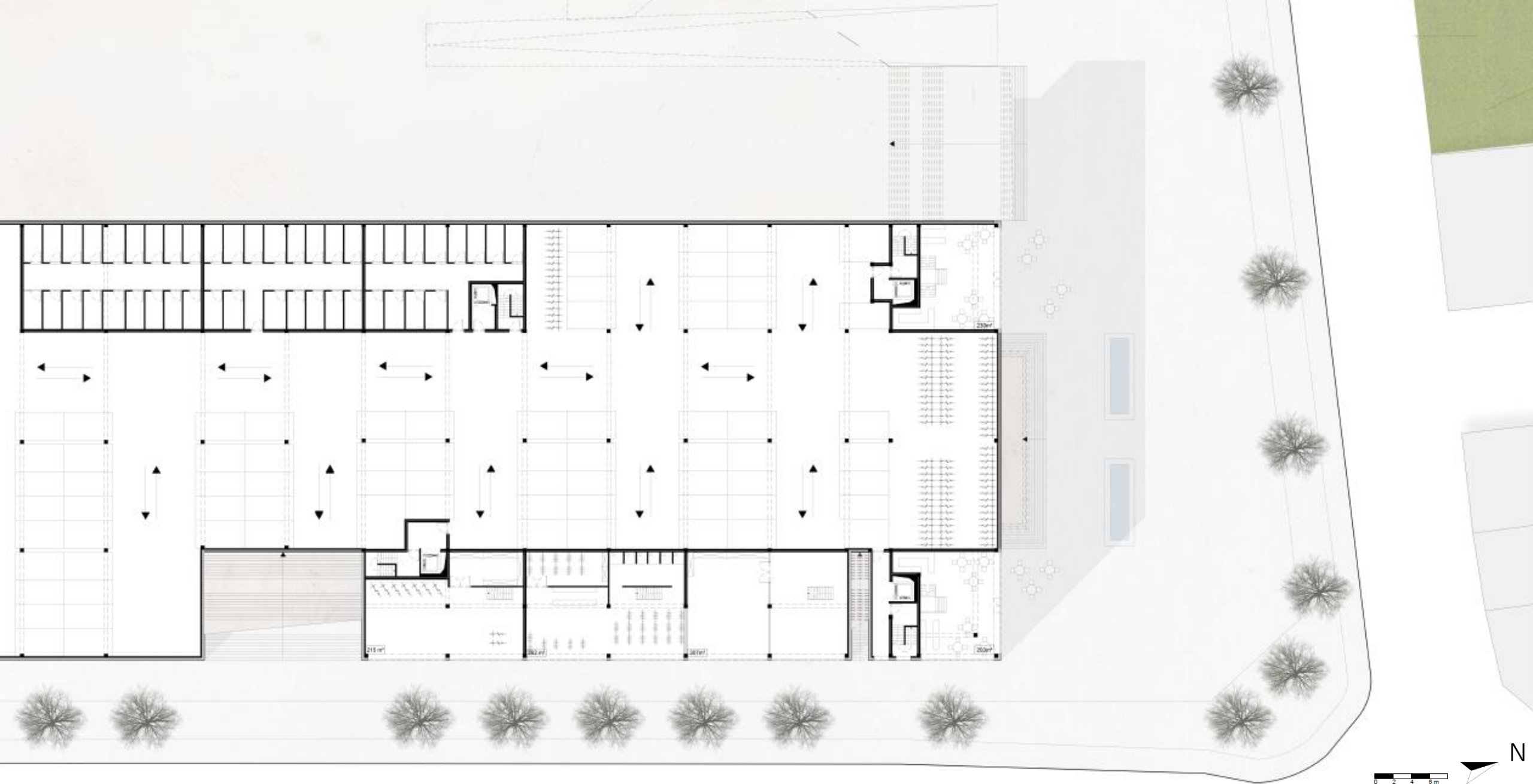


COMMERCE  
2110 m<sup>2</sup>

RESIDENCE  
5644 m<sup>2</sup>

GREEN SPACE  
2222 m<sup>2</sup>

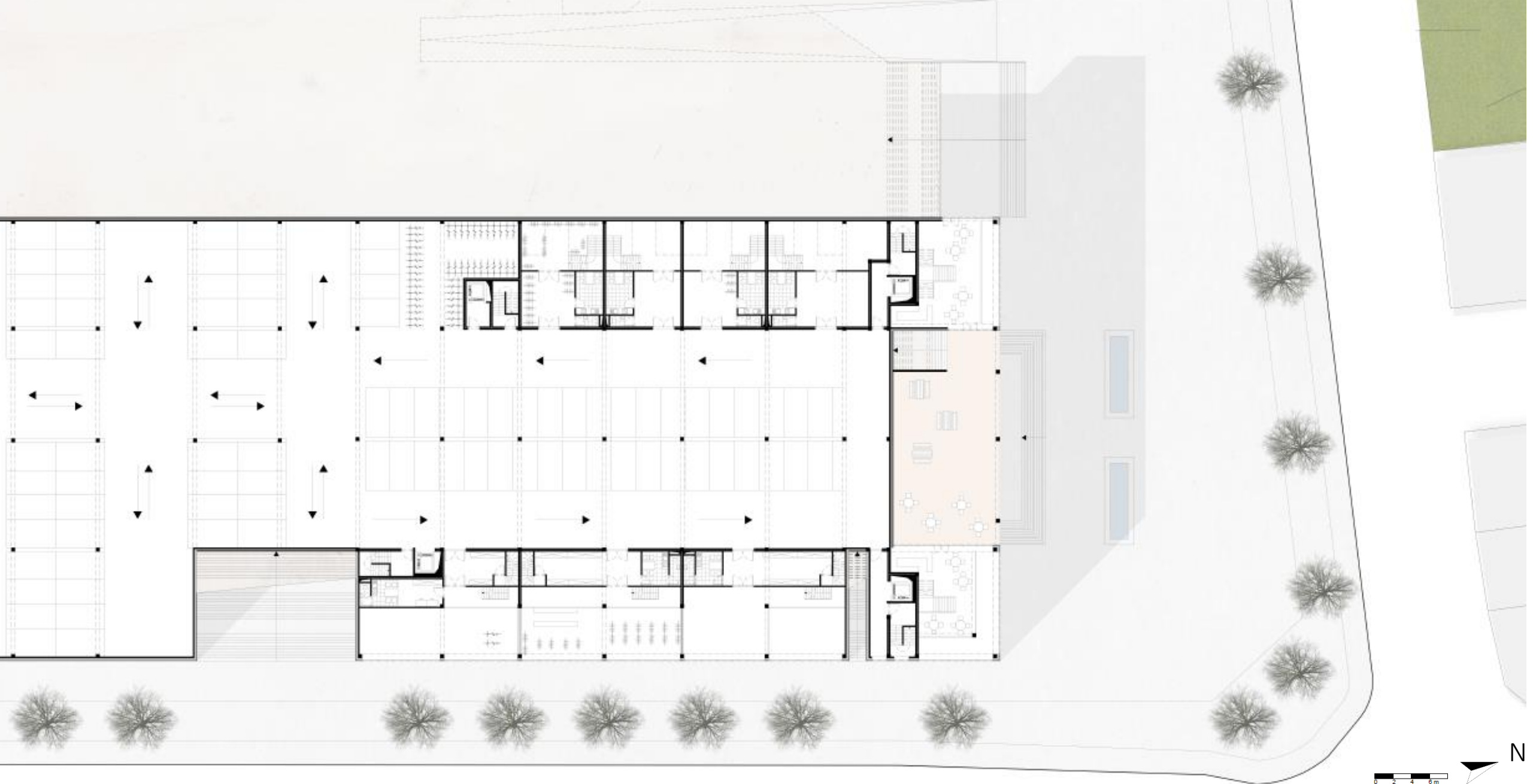




STREETLEVEL



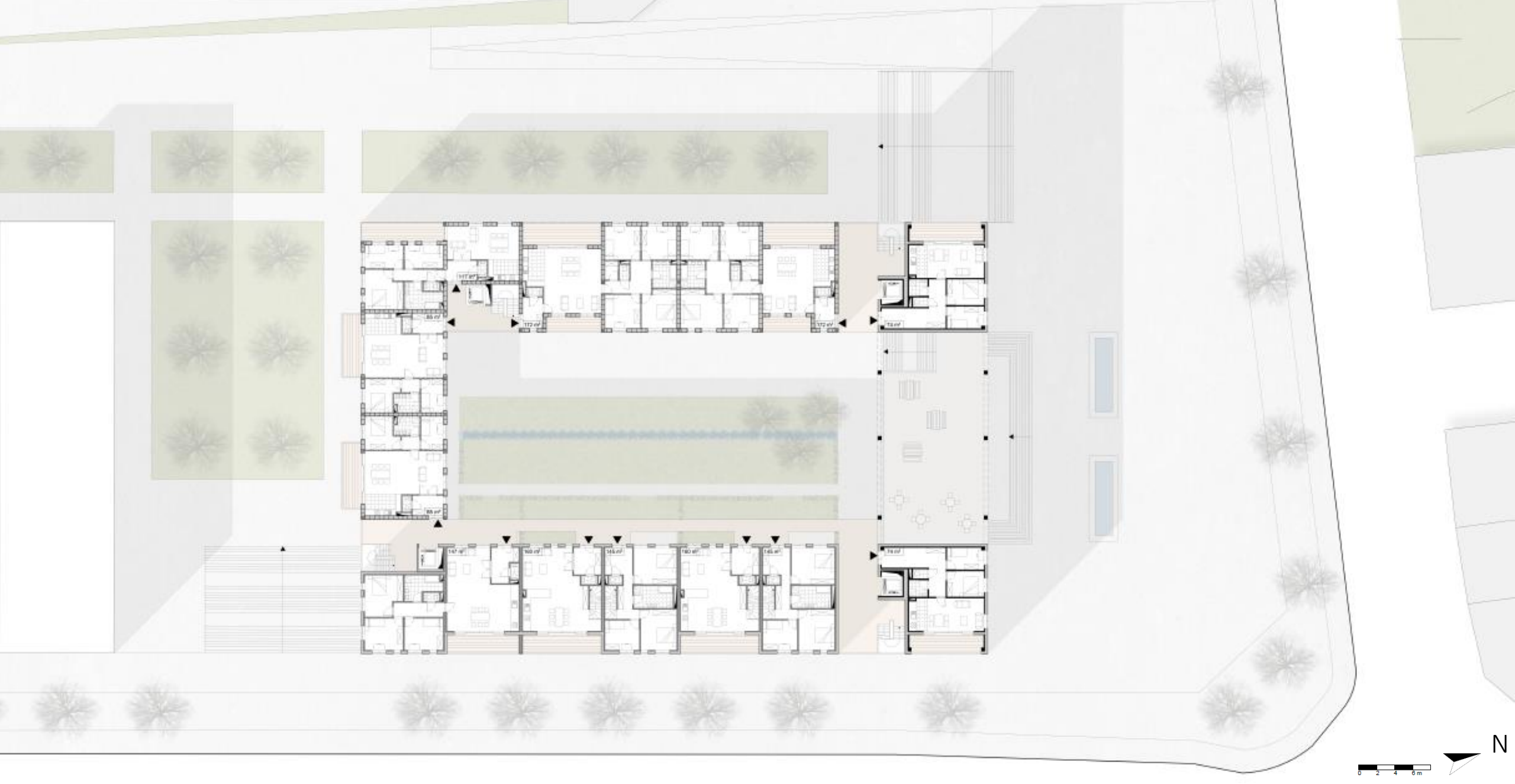




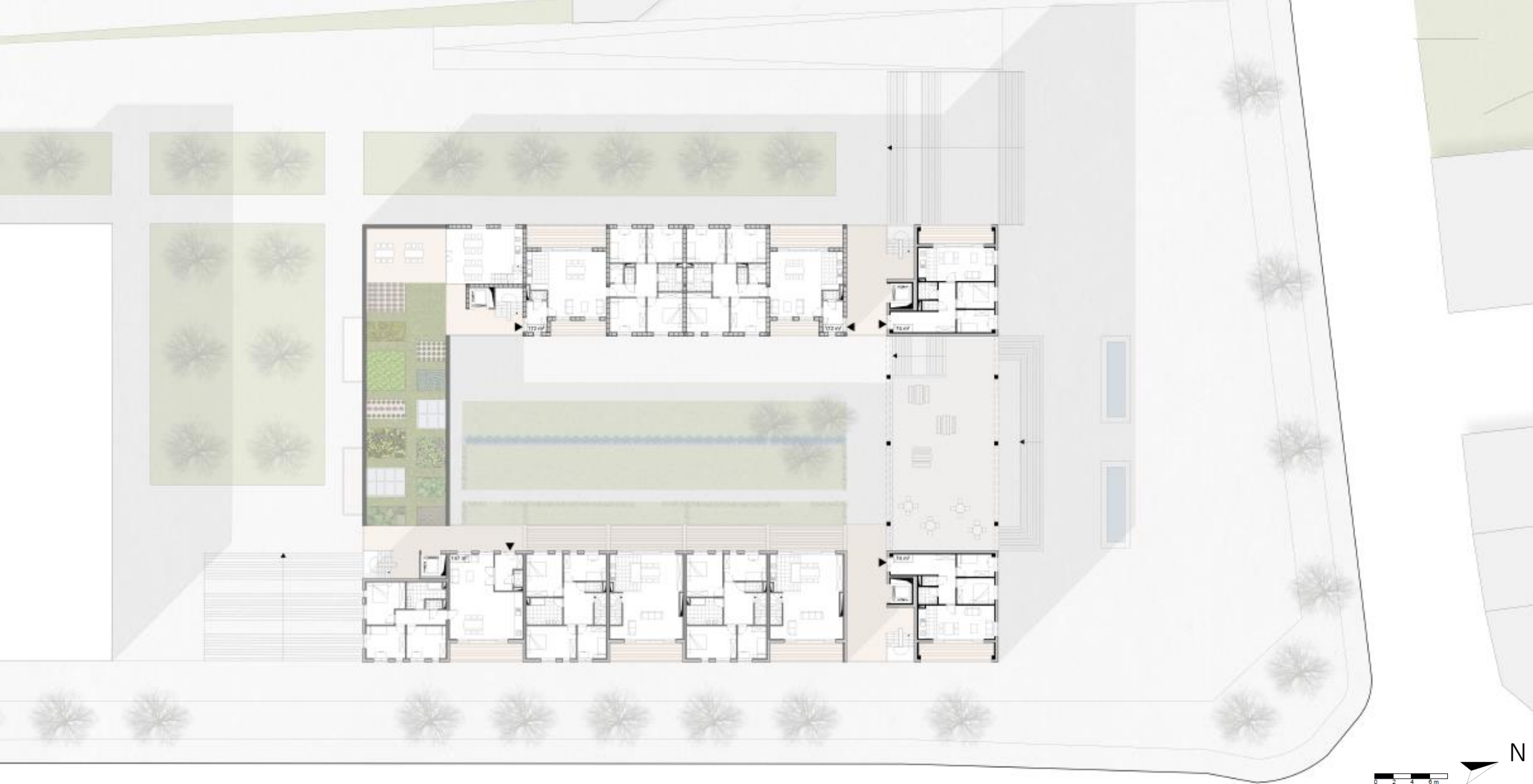












0 2 4 6 m





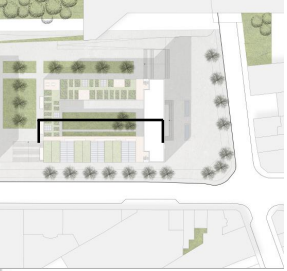


0 2 4 6 m





SECTION



SECTION



